



BT	BHUTAN
----	--------

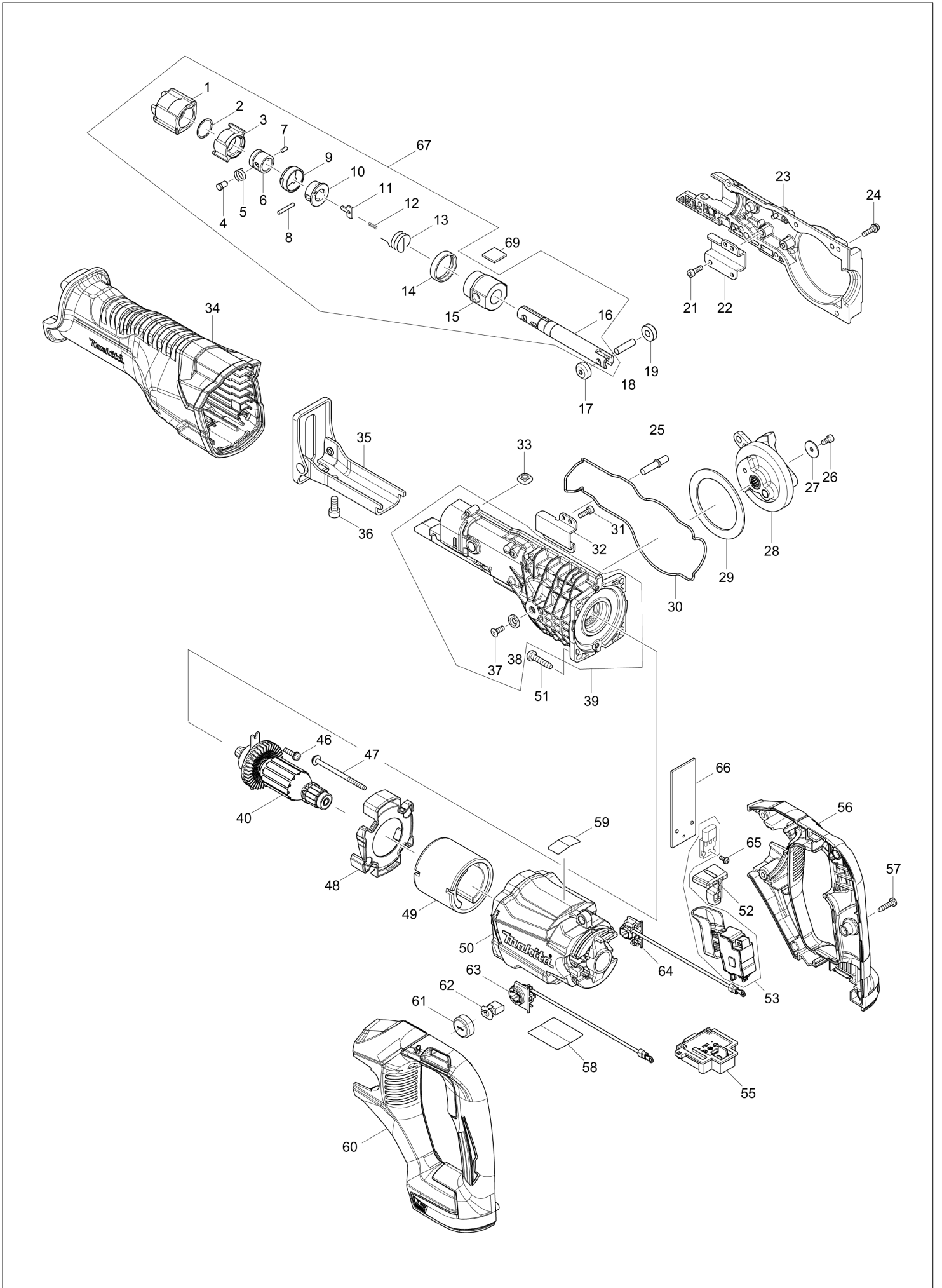
Diagram / Parts List

DJR186

CORDLESS RECIPRO SAW



(BT) DJR186 / CORDLESS RECIPRO SAW



BT	BHUTAN
-----------	---------------

DJR186 / CORDLESS RECIPRO SAW

Item	Sub	Parts No.	Parts Description	Qty	I/C	E/C No.	Close No.	Remark
001		424763-8	PROTECTOR	1				
002		257952-8	RETAINING RING (EXT) 18	1			C8033	
002-1		257430-8	RETAINING RING(EXT)18	1	S	C8033		
003		310662-9	DRIVING SLEEVE	1				
004		256569-4	SHOULDER PIN 5	1				
005		234381-2	COMPRESSION SPRING 6	1				
006		331720-8	GUIDE SLEEVE	1			C8033	
006-1		327043-0	GUIDE SLEEVE	1	S	C8033		
007		268094-3	PIN 3	1				
008		256158-5	PIN 3	1				
009		417791-0	DRIVING SLEEVE GUIDE	1				
010		418311-3	SLEEVE	1				
011		345214-7	PUSH PLATE	1				
012		233025-1	COMPRESSION SPRING 2	1				
013		231687-9	TORSION SPRING 17	1				
014		424762-0	RUBBER RING	1				
015		143365-8	SLIDER GUIDE COMPLETE	1				
	C10	213151-2	OIL SEAL 14	1				
	C20	213174-0	X RING 14	1				
016		161376-1	SLIDER	1				
017		310663-7	ROLLER	1				
018		268341-2	PIN 6	1				
019		310663-7	ROLLER	1				
021		922117-8	HEX. SOCKET HEAD BOLT M4X12	2			B7611	
021-1		265353-6	HEX. SOCKET HEAD BOLT M4X12	2	<	B7611		
022		346936-2	ROD GUIDE R	1				
023		143381-0	GEAR HOUSING R COMPLETE	1				
024		911128-8	P.H.SCREW M4X16 WITH WR	7				
025		256567-8	SHOULDER PIN 6-8	1				
026		922107-1	HEX. SOCKET HEAD BOLT M4X8	1			B7611	
026-1		265911-8	HEX. SOCKET HEAD BOLT M4X8	1	<	B7611		
027		267491-0	FLAT WASHER 4	1				
028		143377-1	GEAR COMPLETE	1			DR240	
028-1		141V68-0	GEAR COMPLETE	1	S	DR240		
029		267490-2	FLAT WASHER 54	1				
030		424764-6	SEAL RING	1				
031		922117-8	HEX. SOCKET HEAD BOLT M4X12	2			B7611	
031-1		265353-6	HEX. SOCKET HEAD BOLT M4X12	2	<	B7611		
032		346935-4	ROD GUIDE L	1				
033		252157-5	SQUARE NUT M6	1				
034		424768-8	INSULATION COVER	1				
035		161375-3	SHOE	1			C1877	
035-1		161810-1	SHOE	1	O	C1877		
036		265531-8	HEX.SOCKET HEAD BOLT M6X14	1				
037		912112-6	COUNTERSUNK HEAD SCREW M4X10	1			B7611	
037-1		265135-6	+ COUNTERSUNK HEAD SCREW M4X10	1	<	B7611		
038		253825-3	FLAT WASHER 6	1				
039		123511-9	GEAR HOUSING L ASSEMBLY	1			B7611	
	D10		INC. 37,38				B7611	
039-1		126678-2	GEAR HOUSING L ASSEMBLY	1	<	B7611		
	D10		INC. 37,38			B7611		
040		519392-1	ARMATURE ASS'Y 18V	1			DR240	
	C10	961055-9	RETAINING RING S-15	1		Y07339	DR240	
	C20	211247-3	BALL BEARING 6002DDW	1		Y07339	DR240	
	C30	227650-8	SPIRAL BEVEL GEAR 7	1		Y07339	DR240	
	C40	285740-3	BEARING RETAINER 66	1		Y07339	DR240	
	C50	210062-2	BALL BEARING 607ZZ	1		Y07339	DR240	
	D10		INC. 41-45				Y07339	
040-1		510597-6	ARMATURE ASS'Y 18V	1	S	DR240		
	C10	961055-9	RETAINING RING S-15	1		DR240		
	C20	211247-3	BALL BEARING 6002DDW	1		DR240		
	C30	227A05-3	SPIRAL BEVEL GEAR 7	1		DR240		
	C40	285740-3	BEARING RETAINER 66	1		DR240		
	C50	210062-2	BALL BEARING 607ZZ	1		DR240		
041		961055-9	RETAINING RING S-15	1			Y07339	

A:DJR186Z(N)

Interchange

O : Yes

X : No

< : the new part can be substituted for the current.

> : the current part can be substituted for the new.

S : Interchangeable as a set.

