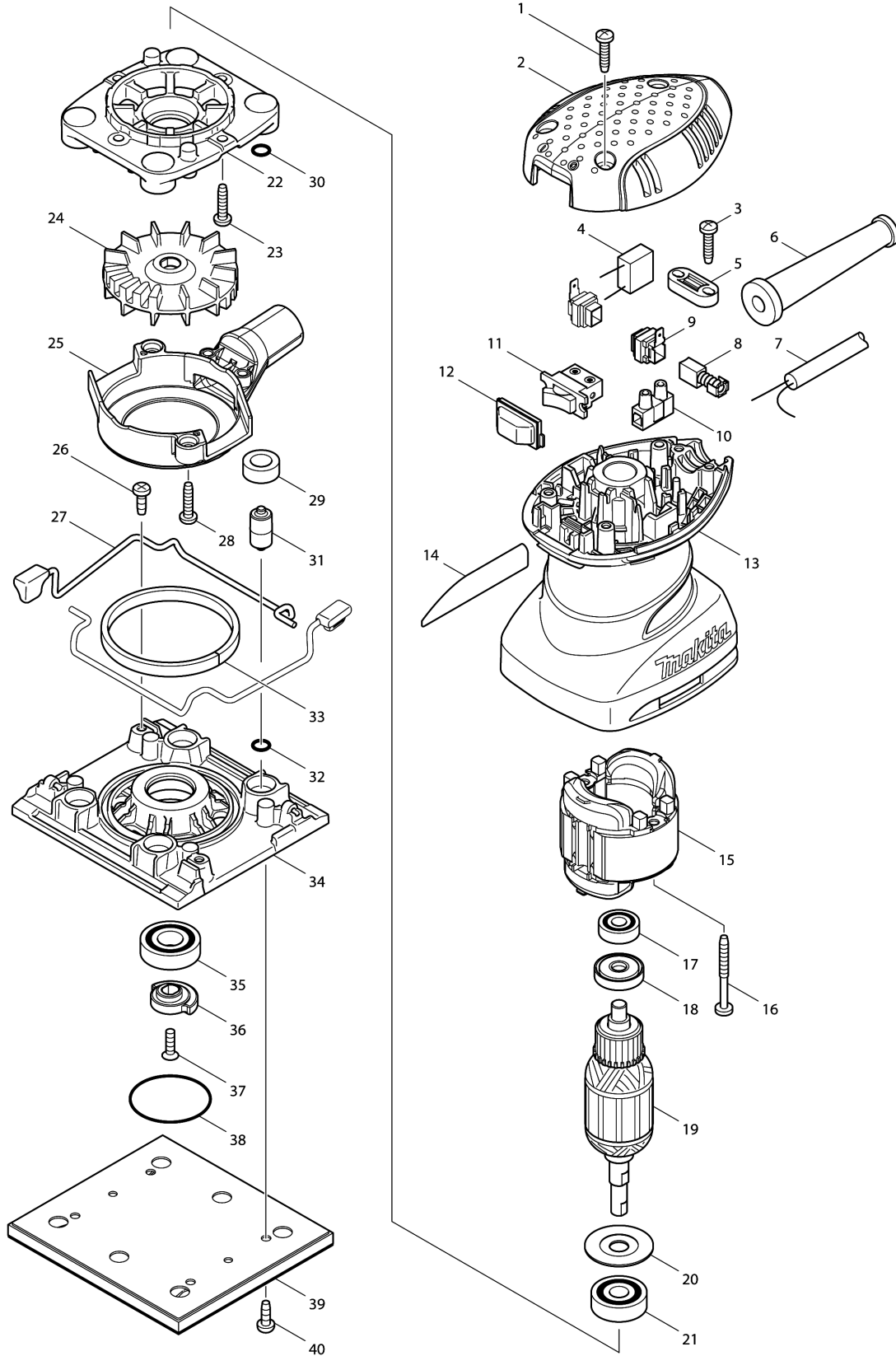


Model No.BO4556 FINISHING SANDER



Model No.BO4556 FINISHING SANDER

Item	Parts No.	Description	I/C	Qty	New/Old	Opt. 1	Opt. 2	Note
001	265995-6	TAPPING SCREW 4X18		3				
002	450071-1	TOP COVER		1				
003	265995-6	TAPPING SCREW 4X18		2				
004	645105-5	NOISE SUPPRESSOR		1				
005	687123-7	STRAIN RELIEF		1	*			
005-1	687124-5	STRAIN RELIEF	S	1				
006	682569-2	CORD GUARD 8-85		1	*			
006-1	682504-0	CORD GUARD 10-85	S	1				
007	666002-2	POWER SUPPLY CORD 1.0-2-2.0		1	*			
007-1	695759-8	POWER SUPPLY CORD 1.0-2-2.0	S	1				
008	191962-4	CARBON BRUSH CB-419		1				
009	643995-0	BRUSH HOLDER		2				
010	654532-5	TERMINAL BLOCK 1P		1				
011	651527-9	SWITCH		1				
012	424039-3	SWITCH COVER		1				
013	450072-9	MOTOR HOUSING		1				
014	863715-8	BO4556 NAME PLATE		1				
015	593649-8	FIELD ASS'Y 240V		1	*			
C10	654069-2	RECEPTACLE		2	*			
015-1	593649-8	FIELD ASS'Y 240V	O	1				
C10	654069-2	RECEPTACLE		2	*			
C11	654086-2	RECEPTACLE	O	2				
016	266048-4	TAPPING SCREW 4X40		2				
017A	210034-7	BALL BEARING 607LLB		1	*			
017B	210062-2	BALL BEARING 607ZZ		1				
017-1A	210062-2	BALL BEARING 607ZZ	O	1				
018	681652-2	INSULATION WASHER		1				
019	515708-8	ARMATURE ASS'Y 220-240V		1				
D10		INC. 17,18,20,21						
020	267806-1	WASHER 9		1				
021	211092-6	BALL BEARING 629DDW		1				
022	450070-3	BEARING BOX		1				
023	265995-6	TAPPING SCREW 4X18		4				
024	241671-6	FAN 63		1				
025	450069-8	FAN GUIDE		1				
026	266020-6	TAPPING SCREW 4X12		2				
027	162259-8	LEVER COMPLETE		2				
028	265995-6	TAPPING SCREW 4X18		2				
029	424023-8	SPONGE SLEEVE 9		4				
030	213983-7	O RING 4		4				
031	318151-8	FOOT		4				

Please order the parts with part number.

Print Date 8/11/2022

Model No.BO4556 FINISHING SANDER

Item	Parts No.	Description	I/C	Qty	New/Old	Opt. 1	Opt. 2	Note
032	213983-7	O RING 4		4				
033A	424038-5	SPONGE 6X185X3		1	*			
033B	424684-4	SPONGE 7X87X3		1				
033-1A	424684-4	SPONGE 7X87X3	O	1	*			
033-2A	424684-4	SPONGE 7X87X3	O	1				
034	450067-2	BASE		1	*			
034-1	450067-2	BASE	<	1				
035	211131-2	BALL BEARING 6001DDW		1				
036	313141-6	BALANCER		1				
037	912117-6	COUNTERSUNK HEAD SCREW M4X12		1				
038	213510-0	O RING 36		1				
039	158324-9	PAD COMPLETE		1				
040	266020-6	TAPPING SCREW 4X12		4				
A01	166078-4	DUST BAG		1	*			
A01-1	135222-4	DUST BAG ASS'Y	<	1				
C10	166078-4	DUST BAG		1				
D10		INC. A02-A04						
A02	257202-1	RING 25		1				
A03	416063-0	DUST BAG NOZZLE		1				
A04	416064-8	DUST NOZZLE		1				
A05	794195-6	ABRASIVE PAPER SET 114X100		1				
A06	450066-4	PUNCH PLATE		1				
F12	195134-3	FILTER SET		1				

Please order the parts with part number.

Print Date 8/11/2022