



BT

BHUTAN

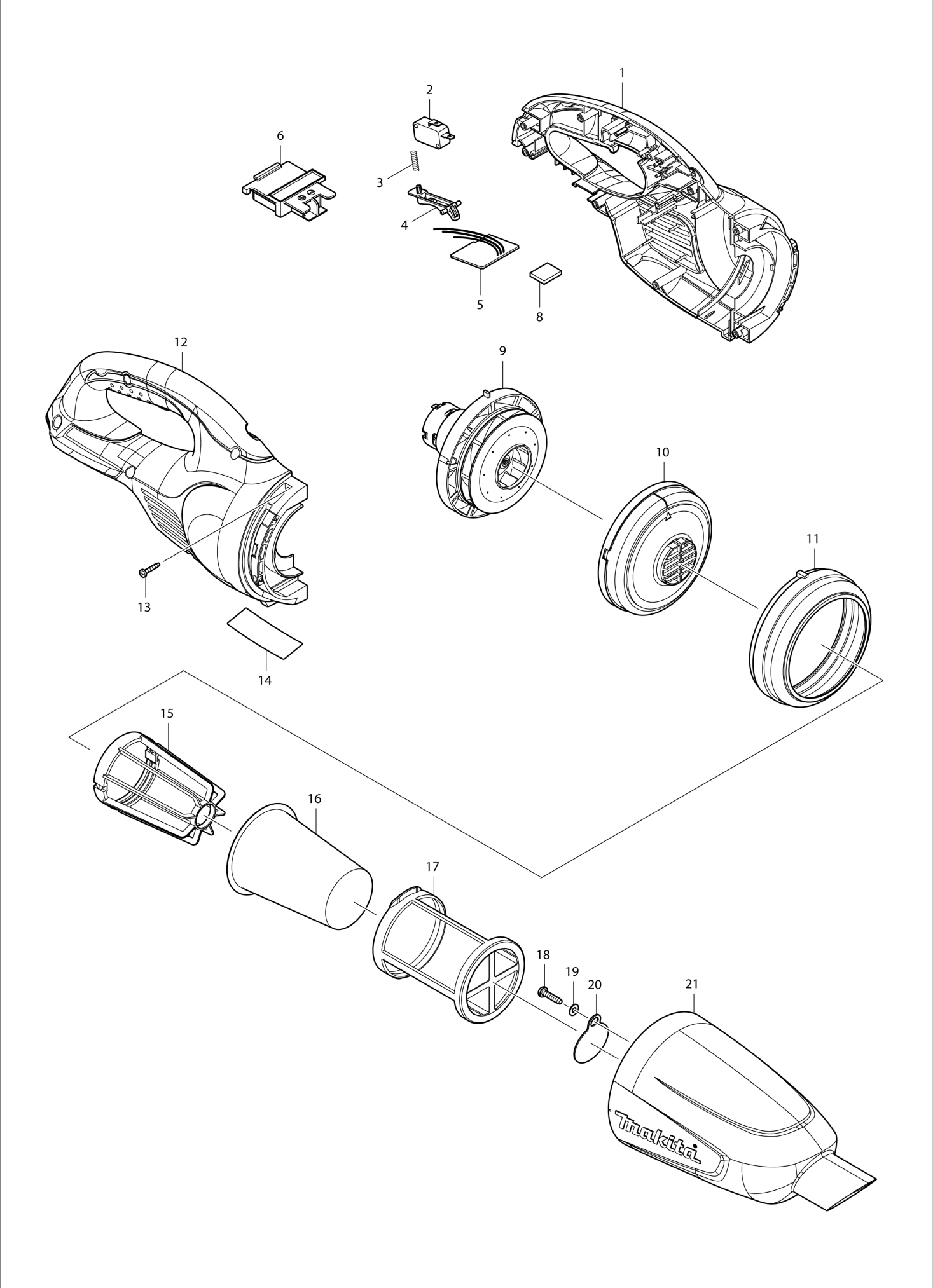
Diagram / Parts List

DCL180

CORDLESS CLEANER



(BT) DCL180 / CORDLESS CLEANER



BT	BHUTAN
-----------	---------------

DCL180 / CORDLESS CLEANER

Item	Sub	Parts No.	Parts Description	Qty	I/C	E/C No.	Close No.	Remark
001		187458-1	HOUSING SET	1				
	C10	424209-4	SPONGE SHEET 50-50	2				
	D10		INC. 12					
002		651891-8	SWITCH V-15-3A6	1			DN910	
002-1		651891-8	SWITCH V-15-3A6	1	O	DN910		
003		231473-8	COMPRESSION SPRING 4	1				
004		451227-9	SWITCH LEVER	1				
005		638936-9	CONTROLLER UNIT	1				
	C20	654086-2	RECEPTACLE	3		DE372		
	C30	654208-4	RECEPTACLE	1		Y09105		
006		643860-3	TERMINAL	1				
008		424248-4	SPONGE SHEET 15-25	1				
009		125867-6	MOTOR ASS'Y	1				
	C10	452455-9	BASE	1				
	C20	265199-0	+ PAN HEAD SCREW M3X8	2				
	C30	240102-2	FAN 82	1				
010		416030-5	FAN COVER	1				
011		424320-2	RUBBER RING	1				
012		187458-1	HOUSING SET	1				
	C10	424209-4	SPONGE SHEET 50-50	2				
	D10		INC. 1					
013		266429-2	TAPPING SCREW 3X16	7			D4070	
013-1		266130-9	TAPPING SCREW BIND PT 3X16	7	O	D4070		
014		815F73-4	DCL180 NAME PLATE	1				
015		410237-5	STAY	1			C1159	
015-1		458467-0	STAY	1	<	C1159		
016		443060-3	FILTER	1				
017		451208-3	PRE-FILTER	1				
018		265995-6	TAPPING SCREW 4X18	1			DG793	
018-1		251530-6	TAPPING SCREW 4X18	1	S	DG793		
019		941051-3	FLAT WASHER 4	1			DG793	
020		424208-6	VALVE	1				
021		451235-0	CAPSULE	1				
022		424308-2	SPONGE SHEET 50-36	1				
023		632H18-7	FUSE UNIT	1		B2684		
024		422268-2	SPONGE SHEET 57	1		C1159		
A01		122859-6	NOZZLE ASS'Y	1			A9870	
	C10	451410-8	ROLLER	4			A9870	
	C20	268208-4	PIN 3	4			A9870	
	C30	424096-1	WIPER	1			A9870	
A01-1		123488-8	FLOOR T-NOZZLE 28 BLU	1	<	A9870		
	C10	451410-8	ROLLER	4		A9870		
	C20	268208-4	PIN 3	4		A9870		
	C30	424096-1	WIPER	1		A9870	DE874	
	C31	422963-4	WIPER	1	O	DE874		
A02		451243-1	SASH NOZZLE 28 BLU	1			DA844	
A02-1		413859-0	SASH NOZZLE	1	O	DA844		
A03		451244-9	PIPE	1				
A04		451245-7	SASH NOZZLE HOLDER	1				
F02		191496-7	FLEXIBLE HOSE SET28(IVO)	1				
F11		198527-3	FLOOR/CARPET T-NOZZLE BLU	1				
F15		198529-9	FLOOR/CARPET T-NOZZLE BLK EU	1				
F16		198537-0	SHELF BRUSH SET28 IVO EU	1		B6697		
F18		198538-8	SHELF BRUSH SET28 BLU	1		B6697		
F20		198540-1	SHELF BRUSH SET28 BLK EU	1		B6697		
F27		198552-4	ROUND BRUSH SET 28 IVO	1		B6697		
F32-1		198560-5	TELESCOPIC PIPE SET 28 EU	1	O	B9103		
F43		198915-4	FILTER SET	1		B8971		
F47		199039-9	SEAT NOZZLE SET 28 BLK	1		C0290		
F49		199041-2	SEAT NOZZLE SET 28 BLU	1		C0290		
F55		198990-0	LONG SASH NOZZLE SET 28 BLU	1		C0583		
F70		1910E7-3	FLEXIBLE HOSE SET	1		DD666		
F71		1910F3-8	CYCLONE ATTACHMENT SET	1		DG024		
F89		1910D4-2	CYCLONE UNIT SET	1		DG801		
F90		1910D3-4	CYCLONE UNIT SET	1		DG801		

B:DCL180Z(N)

Interchange
 O : Yes
 X : No
 < : the new part can be substituted for the current.
 > : the current part can be substituted for the new.
 S : Interchangeable as a set.

