



BT	BHUTAN
----	--------

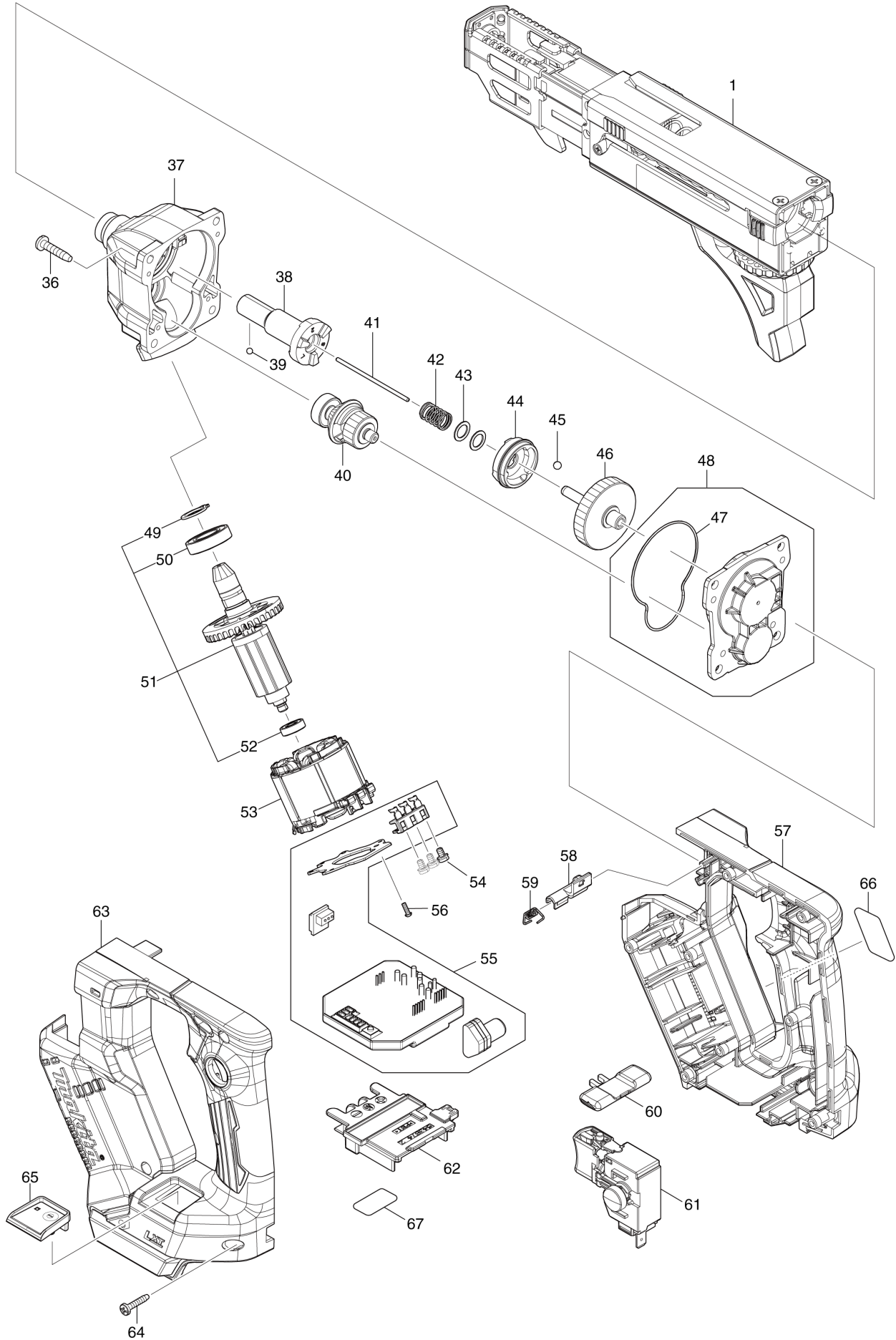
Diagram / Parts List

DFR551

CORDLESS AUTO FEED SCREWDRIVER



(BT) DFR551 / CORDLESS AUTO FEED SCREWDRIVER



BT

BHUTAN

DFR551 / CORDLESS AUTO FEED SCREWDRIVER

Item	Sub	Parts No.	Parts Description	Qty	I/C	E/C No.	Close No.	Remark
001		191W94-5	CASING 55 SET	1				
	D11		INC. 2-35,68					
002		141A81-2	STOPPER BASE COMPLETE	1				
	C10	422695-3	CAP	1				
003		345837-1	LEVER	2				
004		233211-4	COMPRESSION SPRING 2	2				
005		256451-7	PIN 6	1				
006		413527-5	FEEDER BOX	1				
007		257855-6	SLEEVE 5	1				
008		310062-3	STOPPER	1				
009		231636-6	TORSION SPRING 4	1				
010		256158-5	PIN 3	1				
011		226344-2	SPUR GEAR 16	1				
012		141A78-1	RATCHET ARM COMPLETE	1				
013-1		232771-3	COMPRESSION SPRING 5	1				
014		416518-5	WHEEL	1				
015		162934-6	DUST COVER	1				
016		141A80-4	BOX COVER COMPLETE	1				
017		266130-9	TAPPING SCREW BIND PT 3X16	1				
018		347828-8	PLATE	1				
019		232698-7	COMPRESSION SPRING 22	1				
020		141A79-9	CASING 55 COMPLETE	1				
	C10	8040Y6-3	INDICATION LABEL	1				
021		450111-5	STOPPER	2				
022		257764-9	SLEEVE 4	1				
023		265177-0	+SHOULDER FLAT HEAD SCREW M3X6	1				
024		313378-5	SHIFTER PIN	1				
025		912107-9	COUNTERSUNK HEAD SCREW M4X8	3				
026		141A77-3	CLAMPER COMPLETE	1				
	C10	263032-0	RUBBER PIN 4	2				
027		216001-0	STEEL BALL 3.5	1				
028		417056-0	DIAL 42	1				
029		213107-5	O RING 12	1				
030		267201-5	FLAT WASHER 6	1				
031		912117-6	COUNTERSUNK HEAD SCREW M4X12	1				
032		183T81-0	SCREW GUIDE SET	1				
	D10		INC. 34					
033		265A38-0	P.H.SCREW M3X6 WITH WR	1				
034		183T81-0	SCREW GUIDE SET	1				
	D10		INC. 32					
035		266130-9	TAPPING SCREW BIND PT 3X16	2				
036		266045-0	TAPPING SCREW 4X20	4				
037		141A64-2	GEAR HOUSING COMPLETE	1				
	C10	213265-7	O RING 17	1				
	C20	213380-7	O RING 24	1				
038		141A67-6	SPINDLE 270S COMPLETE	1				
039		216019-1	STEEL BALL 3	1				
040		141J99-7	GEAR COMPLETE 21-25	1				
041		268325-0	ROD 2	1				
042		234121-8	COMPRESSION SPRING 8	1				
043		267202-3	FLAT WASHER 8	2				
044		223192-0	CLUTCH CAM 270S	1				
045		216008-6	STEEL BALL 4	3				
046		141A63-4	GEAR COMPLETE 46	1				
047		422692-9	SEAL RING	1				
048		136412-2	GEAR HOUSING COVER ASSY	1				
	C10	422694-5	FELT	1				
	D10		INC. 47					
049		961052-5	RETAINING RING (EXT) S-12	1				
050		211288-9	BALL BEARING 6901DDW	1				
051		519686-4	ROTOR ASS'Y	1				
	D10		INC. 49,50,52					
052		210039-7	BALL BEARING 695DDW	1				
053		629A57-4	STATOR	1				
054		652069-6	FLAT HEAD SCREW M3X6	3				

A:DFR551Z(N)

Interchange

O : Yes

X : No

< : the new part can be substituted for the current.

> : the current part can be substituted for the new.

S : Interchangeable as a set.

