



BT	BHUTAN
----	--------

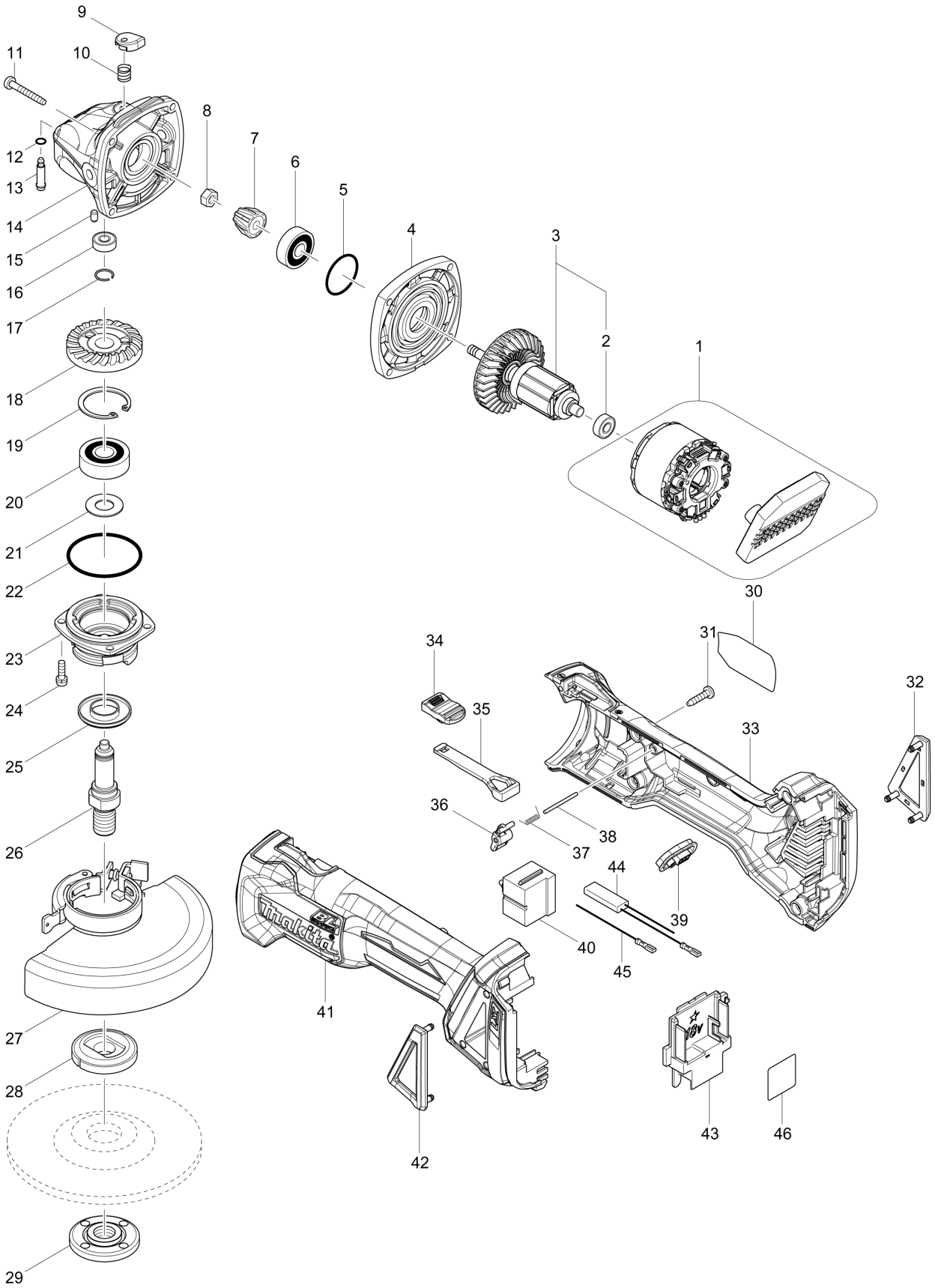
Diagram / Parts List

DGA504

125MM CORDLESS ANGLE GRINDER



(BT) DGA504 / 125MM CORDLESS ANGLE GRINDER



DGA504 / 125MM CORDLESS ANGLE GRINDER

Item	Sub	Parts No.	Parts Description	Qty	I/C	E/C No.	Close No.	Remark
001A		629134-6	STATOR COMPLETE	1			B4436	
001-1A		629176-0	STATOR COMPLETE	1	O	B4436	Y08185	
001-1B		629173-6	STATOR COMPLETE	1			B4436	
001-2A		629173-6	STATOR COMPLETE	1	O	Y08185	DE703	
001-2B		629176-0	STATOR COMPLETE	1	O	B4436	Y08185	
001-3A		629B61-9	STATOR	1	S	DE703		
001-3B		629173-6	STATOR COMPLETE	1	O	Y08185	DE703	
001-4B		629B61-9	STATOR	1	S	DE703		
002		210034-7	BALL BEARING 607LLB	1			B6701	
002-1		210169-4	BALL BEARING 607LLB	1	<	B6701		
003A		519354-9	ROTOR ASS'Y	1			B6701	
	D10		INC. 2				B6701	
003-1A		510328-3	ROTOR ASS'Y	1	<	B6701	Y07571	
	D10		INC. 2			B6701	Y07571	
003-1B		519378-5	ROTOR ASS'Y	1			B6701	
	D10		INC. 2				B6701	
003-2A		510329-1	ROTOR ASS'Y	1	O	Y07571	D7193	
	D10		INC. 2			Y07571	D7193	
003-2B		510329-1	ROTOR ASS'Y	1	<	B6701	D7193	
	D10		INC. 2			B6701	D7193	
003-3		510329-1	ROTOR ASS'Y	1	O	D7193	DG942	
	D10		INC. 2			D7193	DG942	
003-4		510329-1	ROTOR ASS'Y	1	O	DG942		
	D10		INC. 2			DG942		
004		319214-3	GEAR HOUSING COVER	1				
005		213445-5	O-RING 26	1			C9538	
005-1		213407-3	O RING 26	1	O	C9538		
006		210042-8	BALL BEARING 629LLB	1				
007		227541-3	SPIRAL BEVEL GEAR 10	1			C3594	
007-1		226861-2	SPIRAL BEVEL GEAR 10	1	S	C3594		
008		252186-8	HEX. NUT M6	1				
009		417771-6	PIN CAP	1				
010		233072-2	COMPRESSION SPRING 8	1				
011		266361-0	TAPPING SCREW 4X30	4			D7780	
011-1		265B70-0	TAPPING SCREW 4X30	4	O	D7780		
012		213960-9	O RING 5	1				
013		256546-6	SHOULDER PIN 4	1				
014		319213-5	GEAR HOUSING	1				
015		263002-9	RUBBER PIN 4	1				
016		210033-9	BALL BEARING 696ZZ	1				
017		233950-6	RING SPRING 11	1				
018		227641-9	SPIRAL BEVEL GEAR 37	1			C3594	
018-1		226862-0	SPIRAL BEVEL GEAR 37	1	S	C3594		
019		962151-6	RETAINING RING R-32	1				
020		211129-9	BALL BEARING 6201DDW	1				
021		267113-2	FLAT WASHER 12	1			D7262	
021-1		267238-2	FLAT WASHER 12	1	O	D7262		
022		213622-9	O RING 45	1				
023		318331-6	BEARING BOX	1				
024		911121-2	PAN HEAD SCREW M4X14	4				
025		345464-4	LABYRINTH RING	1				
026		324954-0	SPINDLE	1				
027		123145-8	TOOLLESS WHEELCOVER 125AK ASS'Y	1			DP769	
	C10	213009-5	O RING 4	1			DP769	
	C20	265180-1	PAN HEAD SCREW M5X16	1			DP769	
027-1		141P36-7	TOOLLESS WHEEL COVER 125AK CMF	1	<	DP769		
	C10	213009-5	O RING 4	1		DP769		
	C20	265180-1	PAN HEAD SCREW M5X16	1		DP769		
	C30	8050A1-8	CAUTION LABEL	1		DP769		
028A		224415-9	INNER FLANGE 42	1			B3974	
028B		224490-5	INNER FLANGE 14-45	1			Z31407	
028-1A		224490-5	INNER FLANGE 14-45	1	O	B3974	Z31407	
028-1B		224415-9	INNER FLANGE 42	1	O	Z31407		
028-2A		224415-9	INNER FLANGE 42	1	O	Z31407		
029		224554-5	LOCK NUT 14-45	1				

A:DGA504ZJ(N)
B:DGA504Z(N)

Interchange
O : Yes
X : No
< : the new part can be substituted for the current.
> : the current part can be substituted for the new.
S : Interchangeable as a set.

