



BT	BHUTAN
----	--------

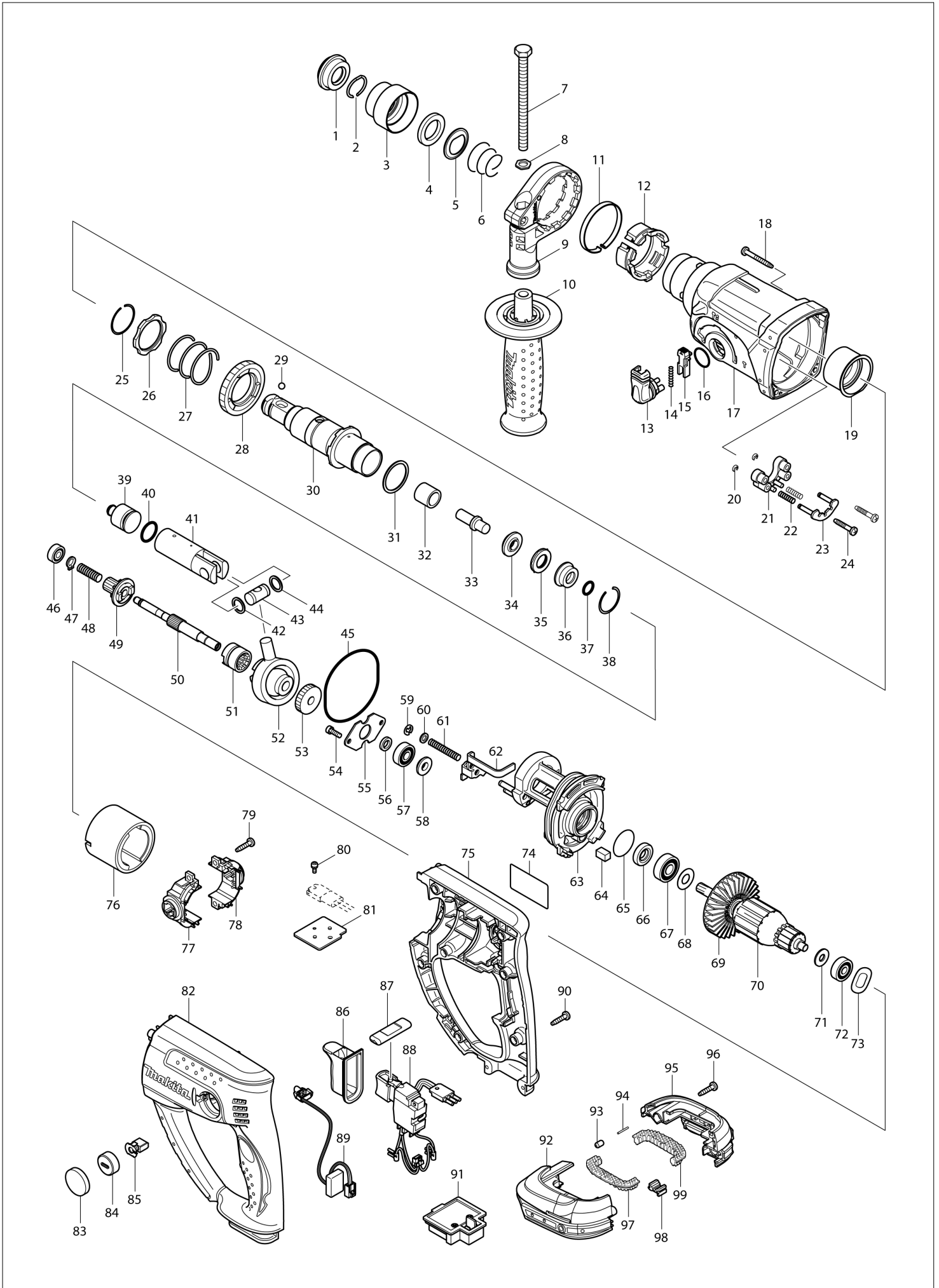
Diagram / Parts List

DHR202

CORDLESS COMBINATION HAMMER



(BT) DHR202 / CORDLESS COMBINATION HAMMER



BT

BHUTAN

DHR202 / CORDLESS COMBINATION HAMMER

Item	Sub	Parts No.	Parts Description	Qty	I/C	E/C No.	Close No.	Remark
001		286263-4	CAP 35	1				
002		233940-9	RING SPRING 19	1				
003		417629-9	CHUCK COVER	1				
004		257241-1	RING 21	1				
005		345187-4	GUIDE WASHER	1				
006		233916-6	CONICAL COMP. SPRING 21-29	1				
007		921923-8	HEX. BOLT M8X120	1				
008		345280-4	HEX. WASHER	1				
009		417630-4	GRIP BASE	1				
010		158057-6	GRIP 36 COMPLETE	1				
	C10	931402-8	HEX. NUT M8	1				
013		162245-9	CHANGE LEVER	1				
014		233459-8	COMPRESSION SPRING 3	1				
015		419192-8	LOCK BUTTON	1				
016		213278-8	O RING 17	1				
017		158216-2	GEAR HOUSING COMPLETE	1				
	C10	213345-9	OIL SEAL 25	1				
018		266351-3	TAPPING SCREW 4X35	4				
019		153290-5	NEEDLE BEARING COMPLETE	1				
020		961017-7	STOP RING E-3	2				
021		417796-0	GUIDE BASE	1				
022		233344-5	COMPRESSION SPRING 4	2				
023		163430-7	LOCK PLATE COMPLETE	1				
024		266374-1	TAPPING SCREW 4X25	2				
025		233929-7	RING SPRING 29	1				
026		267460-1	WASHER 31	1				
027		233401-9	COMPRESSION SPRING 32	1				
028		227109-5	SPUR GEAR 51	1				
029		216022-2	STEEL BALL 7.0	1				
030		158574-6	TOOL HOLDER COMPLETE	1				
031		267229-3	FLAT WASHER 28	1				
032		331769-8	SLEEVE 9	1				
033		324669-9	IMPACT BOLT	1				
034		324402-9	RING 10	1				
035		421955-0	CUSHION RING 13	1				
036		324216-6	O RING CASE	1				
037		213073-6	O RING 9	1				
038		233917-4	RING SPRING 28	1				
039		324214-0	STRIKER	1				
040		213227-5	O RING 16	1				
041		318132-2	PISTON CYLINDER	1				
042		267104-3	FLAT WASHER 12	1				
043		324215-8	PISTON JOINT	1				
044		267104-3	FLAT WASHER 12	1				
045		213727-5	O-RING 63	1				
046C		211012-0	BALL BEARING 606ZZ	1			A3132	
046D		211012-0	BALL BEARING 606ZZ	1			A3132	
046-1C		210028-2	BALL BEARING 606ZZ	1	O	A3132		
046-1D		210028-2	BALL BEARING 606ZZ	1	O	A3132		
046-1E		210028-2	BALL BEARING 606ZZ	1				
046-1F		210028-2	BALL BEARING 606ZZ	1				
046-1G		210028-2	BALL BEARING 606ZZ	1				
046-1H		210028-2	BALL BEARING 606ZZ	1				
047		961003-8	RETAINING RING S-7	1				
048		233343-7	COMPRESSION SPRING 7	1				
049		227179-4	SPUR GEAR 10	1				
050		324668-1	CAM SHAFT	1				
051		331992-5	CLUTCH CAM	1				
052		219014-0	SWASH BEARING 10	1				
053		226632-7	HELICAL GEAR 25	1			D6068	
053-1		226985-4	HELICAL GEAR 25	1	S	D6068		
054		266273-7	HEX. SOCKET HEAD BOLT M4X12	2				
055		345179-3	BEARING RETAINER	1				
056		267234-0	FLAT WASHER 8	1			D6068	
057C		211032-4	BALL BEARING 608ZZ	1			A3132	

C:DHR202RFE(H)
D:DHR202Z(N)
E:DHR202RFE3(H)
F:DHR202RTE3(H)
G:DHR202RME3(H)
H:DHR202RME(H)

Interchange
O : Yes
X : No
< : the new part can be substituted for the current.
> : the current part can be substituted for the new.
S : Interchangeable as a set.

BT	BHUTAN
-----------	---------------

DHR202 / CORDLESS COMBINATION HAMMER

Item	Sub	Parts No.	Parts Description	Qty	I/C	E/C No.	Close No.	Remark
057D		211032-4	BALL BEARING 608ZZ	1			A3132	
057-1C		210029-0	BALL BEARING 608ZZ	1	O	A3132		
057-1D		210029-0	BALL BEARING 608ZZ	1	O	A3132		
057-1E		210029-0	BALL BEARING 608ZZ	1				
057-1F		210029-0	BALL BEARING 608ZZ	1				
057-1G		210029-0	BALL BEARING 608ZZ	1				
057-1H		210029-0	BALL BEARING 608ZZ	1				
058		324212-4	RING 8	1				
059		961011-9	STOP RING E-4	1				
060		941102-2	FLAT WASHER 5	1				
061		233342-9	COMPRESSION SPRING 6	1				
062		345363-0	CHANGE PLATE	1				
063		141574-3	INNER HOUSING COMPLETE	1				
065		213407-3	O RING 26	1				
066		213077-8	OIL SEAL 10	1				
067		210059-1	BALL BEARING 6000DDW	1				
068		267213-8	FLAT WASHER 10	1				
069		240092-9	FAN 64	1				
070		519226-8	ARMATURE ASS'Y 18V	1				
	D10		INC. 67-69,71,72					
071		253823-7	FLAT WASHER 7	1				
072		210023-2	BALL BEARING 627DDW	1				
073		267816-8	WAVE WASHER 15	1				
074		815F22-1	DHR202 NAME PLATE	1				
075		188515-8	HOUSING SET	1				
	D10		INC. 82					
076		638020-0	YOKE UNIT	1				
077		643834-4	BRUSH HOLDER	1				
078		643835-2	BRUSH HOLDER	1				
079		266326-2	TAPPING SCREW 4X18	2				
080		911011-9	PAN HEAD SCREW M3X10	1				
081		689070-8	HEAT SINK	1				
082		188515-8	HOUSING SET	1				
	D10		INC. 75					
083		424128-4	HOLDER CAP COVER	2				
084		643829-7	HOLDER CAP	2				
085		194435-6	CARBON BRUSH CB-441	1				
086		424111-1	SWITCH COVER	1				
087		450615-7	F/R CHANGE LEVER	1				
088		638883-4	SWITCH UNIT	1				
	C10	654199-9	RECEPTACLE	2		DE288		
089		631792-6	LIGHT CIRCUIT	1				
090		266326-2	TAPPING SCREW 4X18	7				
091		644808-8	TERMINAL	1				
092		187212-3	BATTERYHOUSING SET	1				
	C10	263005-3	RUBBER PIN 6	2				
	D10		INC. 95					
093		263036-2	RUBBER PIN 5	1				
094		268184-2	PIN 1.5	1				
095		187212-3	BATTERYHOUSING SET	1				
	C10	263005-3	RUBBER PIN 6	2				
	D10		INC. 92					
096		266326-2	TAPPING SCREW 4X18	2				
097		424042-4	CUSHION RUBBER	1				
098		424476-1	CUSHION	1				
099		424042-4	CUSHION RUBBER	1				
100		123100-0	TOOL HOLDER ASS'Y	1				
	D10		INC. 25-28,30,32-38					
A01		324219-0	DEPTH GAUGE	1				
A02C		194204-5	BATTERY BL1830 SET	2			A5588	
A02-1C		194204-5	BATTERY BL1830 SET	2	O	A5588	B2535	
A02-1E		194204-5	BATTERY BL1830 SET	3			B2535	
A02-2C		197600-6	BATTERY BL1830B SET	2	<	B2535	C4176	
A02-2E		197600-6	BATTERY BL1830B SET	3	<	B2535	C4176	
A02-2F		197280-8	BATTERY BL1850B SET	3			C5219	

C:DHR202RFE(H)
D:DHR202Z(N)
E:DHR202RFE3(H)
F:DHR202RTE3(H)
G:DHR202RME3(H)
H:DHR202RME(H)

Interchange
O : Yes
X : No
< : the new part can be substituted for the current.
> : the current part can be substituted for the new.
S : Interchangeable as a set.

