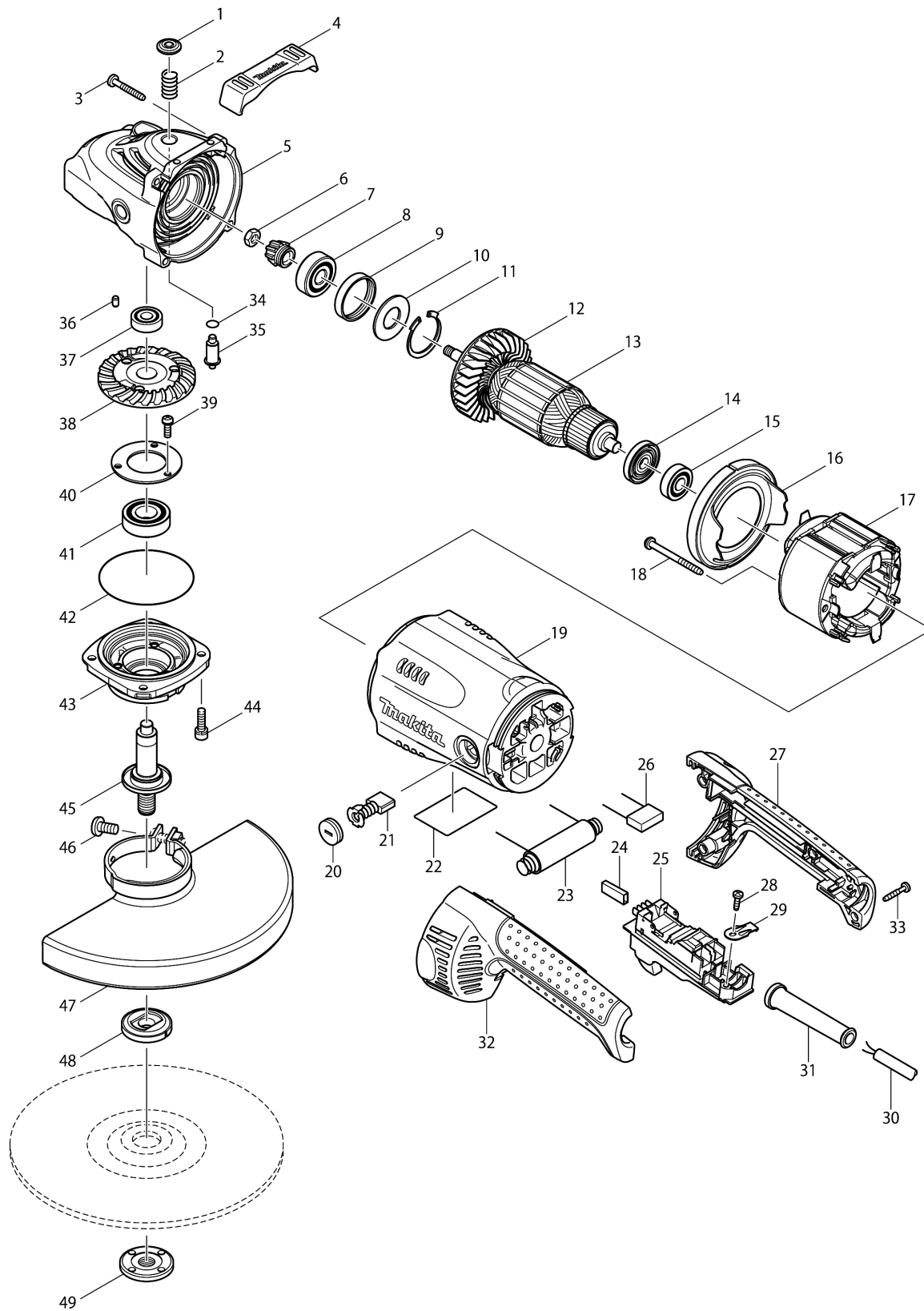


Model No.GA9020S ANGLE GRINDER 230MM



Model No.GA9020S ANGLE GRINDER 230MM

Item	Parts No.	Description	I/C	Qty	New/Old	Opt. 1	Opt. 2	Note
001-2	419133-4	PIN CAP		1				
002	233292-8	COMPRESSION SPRING 12		1				
003	266373-3	TAPPING SCREW 5X35		4	*			
003-1	266012-5	TAPPING SCREW 5X35	O	4	*			
003-2	265B72-6	TAPPING SCREW 5X35	O	4				
004	419144-9	BUMPER		1				
005A	154685-5	GEAR HOUSING COMPLETE		1	*			
C10	262118-7	FELT RING 18		1	*			
005C	154685-5	GEAR HOUSING COMPLETE		1	*			
C10	262118-7	FELT RING 18		1	*			
005-1A	154685-5	GEAR HOUSING COMPLETE	O	1	*			
C10	262118-7	FELT RING 18		1	*			
C20	419134-2	LABYRINTH PLATE		1	*			
005-1C	154685-5	GEAR HOUSING COMPLETE	O	1	*			
C10	262118-7	FELT RING 18		1	*			
C20	419134-2	LABYRINTH PLATE		1	*			
005-2A	154685-5	GEAR HOUSING COMPLETE	O	1	*			
C10	262118-7	FELT RING 18		1	*			
005-2C	154685-5	GEAR HOUSING COMPLETE	O	1	*			
C10	262118-7	FELT RING 18		1	*			
005-3A	142754-4	GEAR HOUSING COMPLETE	<	1				
C10	262118-7	FELT RING 18		1				
005-3C	142754-4	GEAR HOUSING COMPLETE	<	1				
C10	262118-7	FELT RING 18		1				
005-3D	142754-4	GEAR HOUSING COMPLETE		1				
C10	262118-7	FELT RING 18		1				
006	252194-9	HEX. NUT M8		1				
007	227490-4	SPIRAL BEVEL GEAR 12		1				
008	211132-0	BALL BEARING 6301DDW		1				
009	262085-6	RUBBER RING 38		1				
010	267299-2	FLAT WASHER 20		1				
011	962211-4	RETAINING RING R-42		1				
012	240081-4	FAN 80		1				
013A	516943-1	ARMATURE ASS'Y 220V		1	*			
D10		INC. 12,14,15			*			
013C	516943-1	ARMATURE ASS'Y 220V		1	*			
D10		INC. 12,14,15			*			
013-1A	517793-7	ARMATURE ASS'Y 220V	<	1				
D10		INC. 12,14,15						
013-1C	517793-7	ARMATURE ASS'Y 220V	<	1				
D10		INC. 12,14,15						
013-1D	517793-7	ARMATURE ASS'Y 220V		1				

Please order the parts with part number.

Print Date 8/12/2022

Model No.GA9020S ANGLE GRINDER 230MM

Item	Parts No.	Description	I/C	Qty	New/Old	Opt. 1	Opt. 2	Note
D10		INC. 12,14,15						
014	681630-2	INSULATION WASHER		1				
015	210075-3	BALL BEARING 6200DDW		1				
016	419135-0	BAFFLE PLATE		1				
017A	526159-0	FIELD ASS'Y 240V		1	*			
C10	654197-3	RING TERMINAL		2	*			
C20	654502-4	CONNECTOR P-2		2	*			
017C	526159-0	FIELD ASS'Y 240V		1	*			
C10	654197-3	RING TERMINAL		2	*			
C20	654502-4	CONNECTOR P-2		2	*			
017-1A	526159-0	FIELD ASS'Y 240V	O	1	*			
C10	654197-3	RING TERMINAL		2	*			
C20	654502-4	CONNECTOR P-2		2	*			
017-1C	526159-0	FIELD ASS'Y 240V	O	1	*			
C10	654197-3	RING TERMINAL		2	*			
C20	654502-4	CONNECTOR P-2		2	*			
017-2A	526179-4	FIELD ASS'Y 240V	O	1				
C10	654197-3	RING TERMINAL		2				
C20	654502-4	CONNECTOR P-2		2				
017-2C	526179-4	FIELD ASS'Y 240V	O	1				
C10	654197-3	RING TERMINAL		2				
C20	654502-4	CONNECTOR P-2		2				
017-2D	526179-4	FIELD ASS'Y 240V		1				
C10	654197-3	RING TERMINAL		2				
C20	654502-4	CONNECTOR P-2		2				
018A	266329-6	TAPPING SCREW 5X60		2	*			
018C	266329-6	TAPPING SCREW 5X60		2	*			
018-1A	266044-2	TAPPING SCREW 5X60	O	2	*			
018-1C	266044-2	TAPPING SCREW 5X60	O	2	*			
018-1D	266044-2	TAPPING SCREW 5X60		2	*			
018-2	265B71-8	TAPPING SCREW 5X60	O	2				
019	154671-6	MOTOR HOUSING COMPLETE		1				
C10	643712-8	BRUSH HOLDER		2				
020	643700-5	BRUSH HOLDER CAP 7-18		2				
021	191957-7	A.C. CARBON BRUSH CB-204		1				
022	861763-1	GA9020S NAME PLATE		1				
023-1	646788-4	RESISTOR		1				
024	686036-9	RECEPTACLE SLEEVE		2				
025A	651181-9	SWITCH 1362.0114		1				
025C	651181-9	SWITCH 1362.0114		1				
025D	651178-8	SWITCH 1362.0112		1				
026	645088-9	NOISE SUPPRESSOR		1				

Please order the parts with part number.

Print Date 8/12/2022

Model No.GA9020S ANGLE GRINDER 230MM

Item	Parts No.	Description	I/C	Qty	New/Old	Opt. 1	Opt. 2	Note
027	188059-8	HANDLE SET		1				
C10	423350-0	SPONGE SHEET		1				
D10		INC. 32						
028	266385-6	TAPPING SCREW 4X14		1	*			
028-1	266192-7	TAPPING SCREW 4X14	O	1	*			
028-2	265B74-2	TAPPING SCREW 4X14	O	1				
029	687169-3	STRAIN RELIEF		1				
030	665967-5	POWER SUPPLY CORD 1.0-2-2.5		1	*			
030-1	695728-9	POWER SUPPLY CORD 1.0-2-2.5	<	1				
031	682560-0	CORD GUARD 10		1				
032	188059-8	HANDLE SET		1				
C10	423350-0	SPONGE SHEET		1				
D10		INC. 27						
033	266374-1	TAPPING SCREW 4X25		4	*			
033-1	265999-8	TAPPING SCREW 4X25	O	4	*			
033-2	265B73-4	TAPPING SCREW 4X25	O	4				
034	213062-1	O RING 9		1				
035-2	256491-5	SHOULDER PIN 5		1				
036	263002-9	RUBBER PIN 4		1				
037	210067-2	BALL BEARING 6000ZZ		1				
038	227491-2	SPIRAL BEVEL GEAR 53 A		1				
039	265120-9	PAN HEAD SCREW M5X16		3				
040	285724-1	BEARING RETAINER 50		1				
041	211285-5	BALL BEARING 6203DDW		1				
042	213760-7	O RING 78		1				
043A	317988-0	BEARING BOX		1				
043C	317988-0	BEARING BOX		1				
043D	318377-2	BEARING BOX		1				
044	265541-5	HEX. SOCKET HEAD BOLT M6X22		4				
045-1	158206-5	SPINDLE COMPLETE		1				
C10	345629-8	LABYRINTH RING 25		1				
046A	265158-4	+PAN HEAD SCREW M8X25		1				
046C	265158-4	+PAN HEAD SCREW M8X25		1				
046D	265198-2	+PAN HEAD SCREW M8X25		1				
047A	154672-4	WHEEL COVER 230 COMPLETE		1				
047C	154672-4	WHEEL COVER 230 COMPLETE		1				
047D	122891-0	WHEEL COVER 230K ASSEMBLY		1				
C10	213017-6	O RING 6		1				
D10		INC. 46						
048A	224298-7	INNER FLANGE 42		1	*			

Please order the parts with part number.

Print Date 8/12/2022

Model No.GA9020S ANGLE GRINDER 230MM

Item	Parts No.	Description	I/C	Qty	New/Old	Opt. 1	Opt. 2	Note
048C	224298-7	INNER FLANGE 42		1	*			
048-1A	224415-9	INNER FLANGE 42	<	1	*			
048-1C	224415-9	INNER FLANGE 42	<	1	*			
048-2A	224490-5	INNER FLANGE 14-45	O	1	*			
048-2C	224490-5	INNER FLANGE 14-45	O	1	*			
048-2D	224490-5	INNER FLANGE 14-45		1	*			
048-3	224415-9	INNER FLANGE 42	O	1				
049	224543-0	LOCK NUT 14-45		1				
050A	233946-7	RING SPRING 15		1				
050C	233946-7	RING SPRING 15		1				
050D	233946-7	RING SPRING 15		1				
051A	819357-6	CLEAR LABEL		1	*			
051C	819357-6	CLEAR LABEL		1	*			
051-1A	892272-9	CLEAR LABEL	<	1	*			
051-1C	892272-9	CLEAR LABEL	<	1	*			
051-1D	892272-9	CLEAR LABEL		1	*			
051-2	804Y42-4	CLEAR LABEL	O	1	*			
A01	152539-0	GRIP 36 COMPLETE		1				
A02	782407-9	LOCK NUT WRENCH 35		1	*			
A02-1	197610-3	LOCK NUT WRENCH 35 SET	O	1				
A03C	824755-1	PLASTIC CARRYING CASE		1	*			
C10	163455-1	LATCH		2	*			
A03-1C	824958-7	PLASTIC CARRYING CASE	O	1				
C10	163455-1	LATCH		2				
A04C	803856-8	GA9020SK MODEL NO. LABEL		1				
F04	192227-7	SUPER FLANGE		1				
F45	191X44-6	180MM DUST COLLECT COVER K SET		1				

Please order the parts with part number.

Print Date 8/12/2022