



BT

BHUTAN

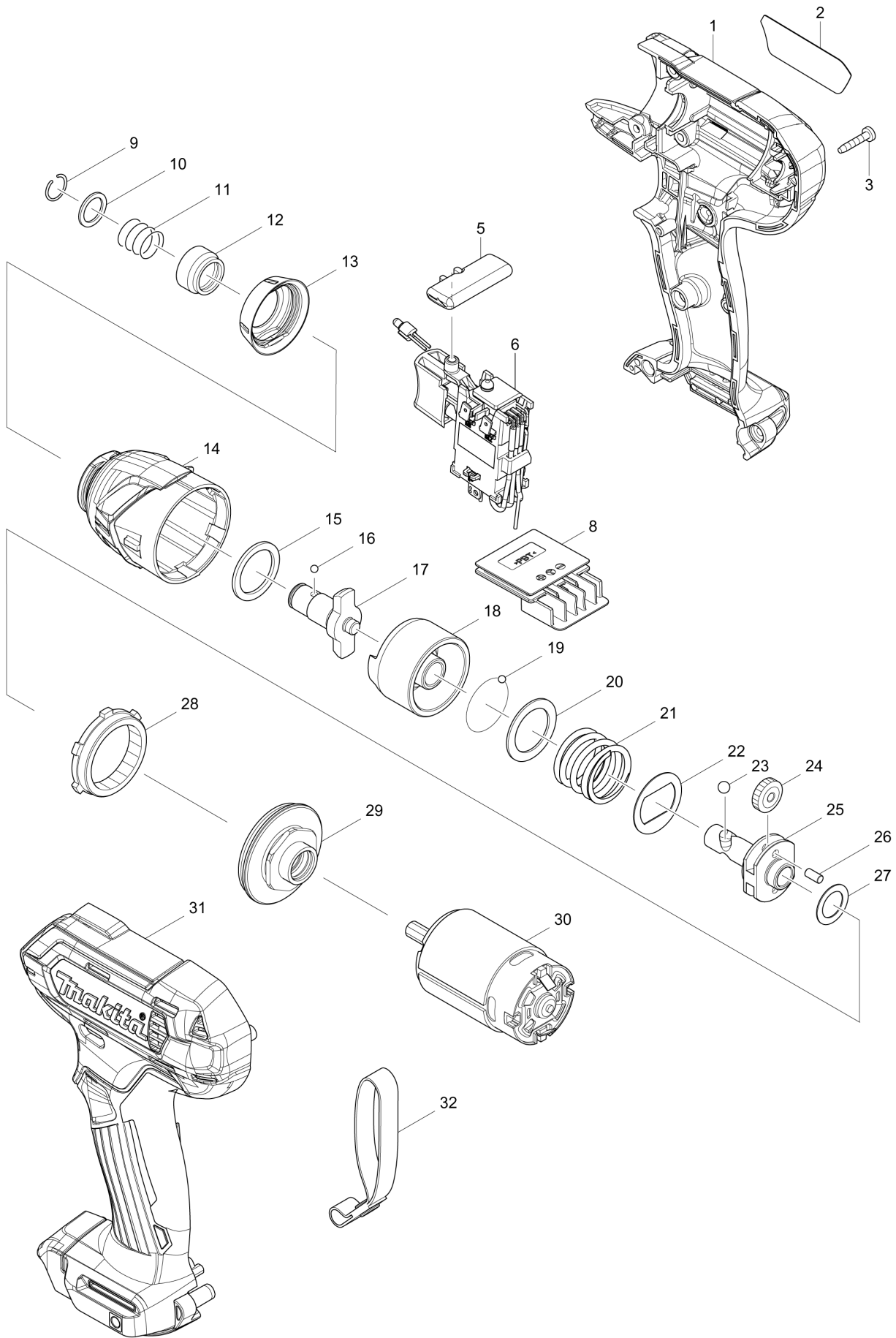
Diagram / Parts List

TD110D

CORDLESS IMPACT DRIVER



(BT) TD110D / CORDLESS IMPACT DRIVER



BT

BHUTAN

TD110D / CORDLESS IMPACT DRIVER

| Item | Sub | Parts No. | Parts Description | Qty | I/C | E/C No. | Close No. | Remark |
|--------|-----|-----------|--------------------------|-----|-----|---------|-----------|--------|
| 001 | | 183B49-8 | HOUSING SET | 1 | | | | |
| | C10 | 252126-6 | HEX. LOCK NUT M4-7 | 2 | | | | |
| | D10 | | INC. 31 | | | | | |
| 002 | | 851G86-7 | TD110D NAME PLATE | 1 | | | C4265 | |
| 002-1 | | 851G85-9 | TD110D NAME PLATE | 1 | < | C4265 | | |
| 003 | | 266429-2 | TAPPING SCREW 3X16 | 8 | | | | |
| 005 | | 456039-5 | F/R CHANGE LEVER | 1 | | | | |
| 006 | | 632F43-6 | SWITCH UNIT | 1 | | | B5112 | |
| | C10 | 620463-0 | LED CIRCUIT | 1 | | | B5112 | |
| 006-1 | | 632J77-3 | SWITCH UNIT | 1 | < | B5112 | | |
| | C10 | 620625-0 | LED CIRCUIT | 1 | | B5112 | | |
| 008 | | 644813-5 | TERMINAL | 1 | | | | |
| 009 | | 231965-7 | RING SPRING 10 | 1 | | | | |
| 010 | | 267143-3 | FLAT WASHER 11 | 1 | | | | |
| 011 | | 233005-7 | COMPRESSION SPRING 13 | 1 | | | | |
| 012 | | 324711-6 | BIT SLEEVE | 1 | | | | |
| 013 | | 424737-9 | BUMPER | 1 | | | | |
| 014 | | 143277-5 | HAMMER CASE COMPLETE | 1 | | | | |
| 015 | | 261140-1 | NYLON WASHER 20 | 1 | | | | |
| 016 | | 216019-1 | STEEL BALL 3 | 2 | | | | |
| 017 | | 324895-0 | ANVIL M | 1 | | | | |
| 018 | | 324894-2 | HAMMER | 1 | | | | |
| 019 | | 216019-1 | STEEL BALL 3 | 24 | | | | |
| 020 | | 267380-9 | FLAT WASHER 20 | 1 | | | | |
| 021 | | 234064-4 | COMPRESSION SPRING 21 | 1 | | | | |
| 022 | | 267813-4 | WASHER 21 | 1 | | | | |
| 023 | | 216002-8 | STEEL BALL 4.8 | 2 | | | | |
| 024 | | 227213-0 | SPUR GEAR 17 | 2 | | | | |
| 025 | | 324897-6 | SPINDLE | 1 | | | | |
| 026 | | 268217-3 | PIN 3.5 | 2 | | | | |
| 027 | | 253052-2 | FLAT WASHER 12 | 1 | | | | |
| 028 | | 227215-6 | INTERNAL GEAR 43 | 1 | | | | |
| 029 | | 158671-8 | BEARING BOX COMPLETE | 1 | | | | |
| 030 | | 629163-9 | DC MOTOR | 1 | | | | |
| 031 | | 183B49-8 | HOUSING SET | 1 | | | | |
| | C10 | 252126-6 | HEX. LOCK NUT M4-7 | 2 | | | | |
| | D10 | | INC. 1 | | | | | |
| A01 | | 266622-8 | + TRUSS HEAD SCREW M4X12 | 1 | | | | |
| A02 | | 346909-5 | HOOK | 1 | | | | |
| A03 | | 784244-7 | + BIT 2-50 | 1 | | | | |
| A04B | | 456128-6 | BATTERY COVER | 1 | | | | |
| A04C | | 456128-6 | BATTERY COVER | 1 | | | | |
| A04D | | 456128-6 | BATTERY COVER | 1 | | | | |
| A05B | | ***DC10WC | DC10WC BATTERY CHARGER | 1 | | | C2168 | |
| | D10 | | COMPO-PARTS | | | | C2168 | |
| A05C | | ***DC10WC | DC10WC BATTERY CHARGER | 1 | | | C2168 | |
| | D10 | | COMPO-PARTS | | | | C2168 | |
| A05D | | ***DC10SA | DC10SA BATTERY CHARGER | 1 | | | C2168 | |
| | D10 | | COMPO-PARTS | | | | C2168 | |
| A05-1B | | ***DC10WD | DC10WD BATTERY CHARGER | 1 | < | C2168 | | |
| | D10 | | COMPO-PARTS | | | C2168 | | |
| A05-1C | | ***DC10WD | DC10WD BATTERY CHARGER | 1 | < | C2168 | | |
| | D10 | | COMPO-PARTS | | | C2168 | | |
| A05-1D | | ***DC10SB | DC10SB BATTERY CHARGER | 1 | < | C2168 | | |
| | D10 | | COMPO-PARTS | | | C2168 | | |
| A06B | | 197390-1 | BATTERY BL1015 SET | 2 | | | C2168 | |
| A06C | | 197394-3 | BATTERY BL1020B SET | 2 | | | C2168 | |
| A06D | | 197394-3 | BATTERY BL1020B SET | 2 | | | C2168 | |
| A06-1B | | 197393-5 | BATTERY BL1016 SET | 2 | < | C2168 | | |
| A06-1C | | 197396-9 | BATTERY BL1021B SET | 2 | < | C2168 | C5226 | |
| A06-1D | | 197396-9 | BATTERY BL1021B SET | 2 | < | C2168 | C5226 | |
| A06-2C | | 197396-9 | BATTERY BL1021B SET | 2 | O | C5226 | | |
| A06-2D | | 197396-9 | BATTERY BL1021B SET | 2 | O | C5226 | | |
| A07B | | 821661-1 | PLASTIC CARRYING CASE | 1 | | | | |
| | C10 | 417724-5 | LATCH | 2 | | | | |

B:TD110DWYE(H)
C:TD110DWAE(H)
D:TD110DSAE(H)
E:TD110DZ(N)

Interchange
O : Yes
X : No
< : the new part can be substituted for the current.
> : the current part can be substituted for the new.
S : Interchangeable as a set.

