



BT	BHUTAN
----	--------

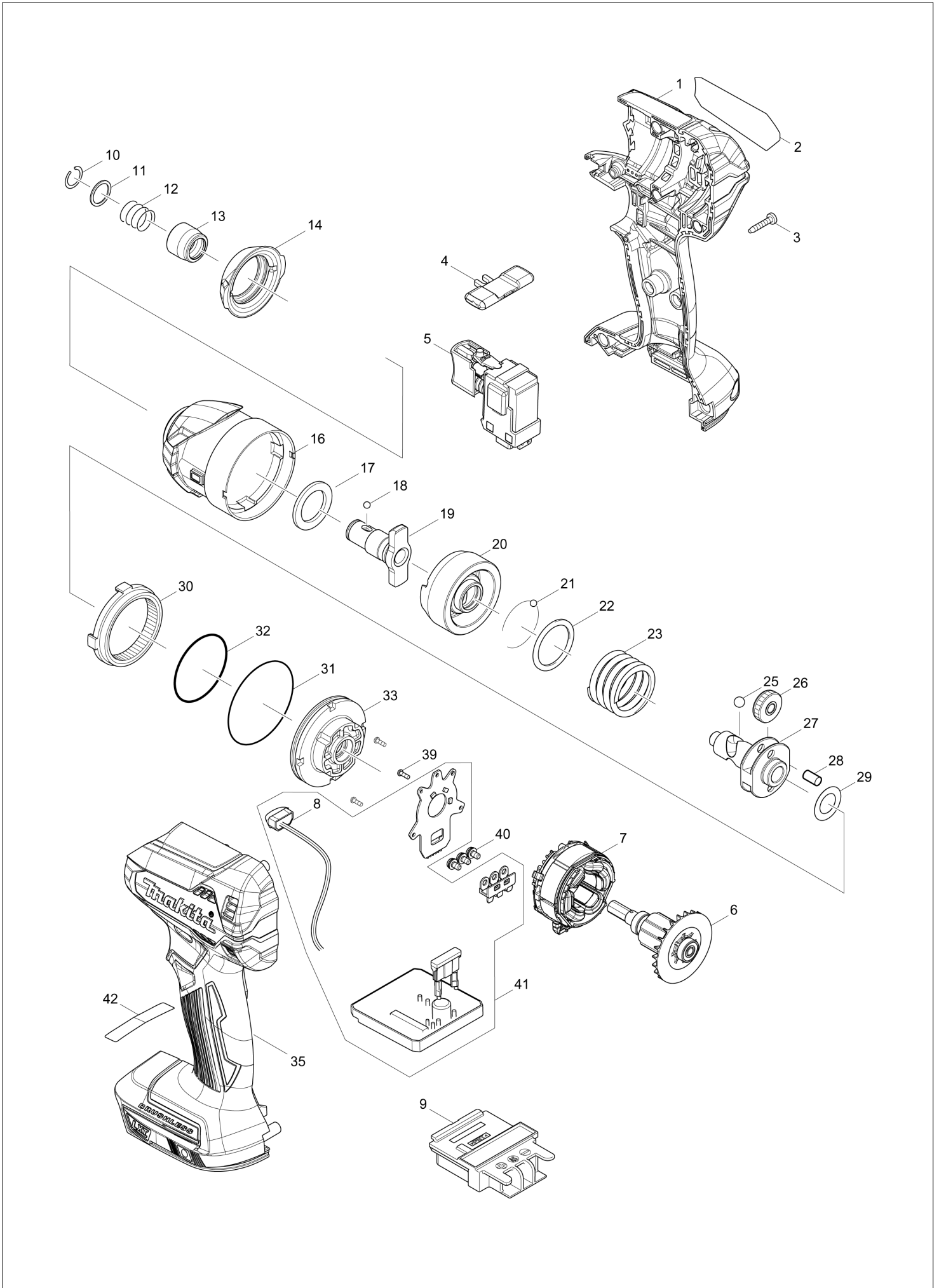
# Diagram / Parts List

**DTD153**

**CORDLESS IMPACT DRIVER**



(BT) DTD153 / CORDLESS IMPACT DRIVER



<b>BT</b>	<b>BHUTAN</b>
-----------	---------------

### DTD153 / CORDLESS IMPACT DRIVER

Item	Sub	Parts No.	Parts Description	Qty	I/C	E/C No.	Close No.	Remark
001		183E35-7	HOUSING SET	1				
	C10	263005-3	RUBBER PIN 6	2				
	C20	252126-6	HEX. LOCK NUT M4-7	2			Y09058	
	D10		INC. 35					
002		852K79-1	DTD153 NAME PLATE	1			D3204	
002-1		857L39-4	DTD153 NAME PLATE	1	S	D3204		
003		266429-2	TAPPING SCREW 3X16	9			D4070	
003-1		266130-9	TAPPING SCREW BIND PT 3X16	9	O	D4070		
004		455053-8	F/R CHANGE LEVER	1				
005		143975-1	SWITCH COMPLETE	1			DH213	
005-1		141N42-0	SWITCH COMPLETE	1	O	DH213		
006		619404-1	ROTOR	1			C6318	
006-1		619404-1	ROTOR	1	O	C6318		
007		629224-5	STATOR	1				
008		620557-1	LED CIRCUIT	1				
009		643860-3	TERMINAL	1				
010		231951-8	RING SPRING 11	1				
011		267085-1	FLAT WASHER 12	1				
012		233005-7	COMPRESSION SPRING 13	1				
013		326072-0	BIT SLEEVE	1				
014		424888-8	BUMPER	1				
016		143957-3	HAMMER CASE COMPLETE	1				
017		261151-6	NYLON WASHER 19	1				
018		216040-0	STEEL BALL 3.5	2				
019		326565-7	ANVIL M	1				
020		326564-9	HAMMER	1				
021		216040-0	STEEL BALL 3.5	24				
022		267175-0	FLAT WASHER 24	1				
023		234251-5	COMPRESSION SPRING 25	1				
025		216041-8	STEEL BALL 5.6	2				
026		227362-3	SPUR GEAR 22	2				
027		326562-3	SPINDLE	1				
028		256253-1	PIN 5	2				
029		253314-8	THIN WASHER 15	1				
030		227378-8	INTERNAL GEAR 51	1				
031		213606-7	O RING 48	1				
032		213507-9	O RING 40	1				
033		143958-1	BEARING BOX COMPLETE	1				
035		183E35-7	HOUSING SET	1				
	C10	263005-3	RUBBER PIN 6	2				
	C20	252126-6	HEX. LOCK NUT M4-7	2			Y09058	
	D10		INC. 1					
039		266490-9	TAPPING SCREW PT 2X6	3			DA950	
039-1		265C47-1	TAPPING SCREW PT 2X6	3	O	DA950		
040		652069-6	FLAT HEAD SCREW M3X6	3				
041		620563-6	CONTROLLER	1			DE673	
	D10		INC. 8				DE673	
041-1		620J73-3	CONTROLLER	1	O	DE673	DF422	
	D10		INC. 8			DE673	DF422	
041-2		620563-6	CONTROLLER	1	O	DF422		
	D10		INC. 8			DF422		
043		857L40-9	DTD153 SERIAL NO. LABEL	1	S	D3204		
A01		266622-8	+ TRUSS HEAD SCREW M4X12	1				
A02		346317-0	HOOK	1				
A03B		450128-8	BATTERY COVER	1				
A03C		450128-8	BATTERY COVER	2				
A03D		450128-8	BATTERY COVER	1				
A03E		450128-8	BATTERY COVER	2				
A04B		***DC18RC	DC18RC FAST CHARGER	1				
	D10		COMPO-PARTS					
A04C		***DC18RC	DC18RC FAST CHARGER	1				
	D10		COMPO-PARTS					
A04D		***DC18RC	DC18RC FAST CHARGER	1				
A04E		***DC18RC	DC18RC FAST CHARGER	1				
A05B		197265-4	BATTERY BL1840B SET	2			C5218	

A:DTD153Z(N)  
 B:DTD153RME(H)  
 C:DTD153RME3(H)  
 D:DTD153RTE(H)  
 E:DTD153RTE3(H)

Interchange  
 O : Yes  
 X : No  
 < : the new part can be substituted for the current.  
 > : the current part can be substituted for the new.  
 S : Interchangeable as a set.

